

Description : Capital 200

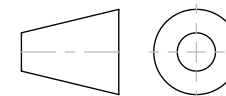
Code : AL5010

Revision : 09

Scale : 1:5

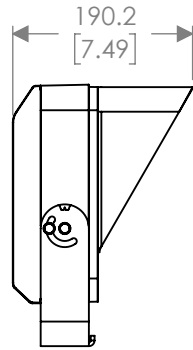
SHEET 1 OF 3

DIMENSIONS ARE IN MILLIMETERS [BRACKETED DIMENSIONS ARE IN INCHES]

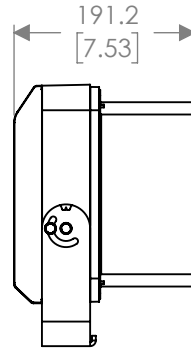


GRIVEN 

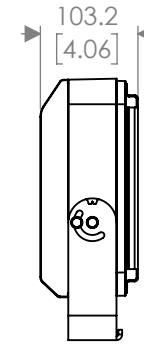
<http://www.griven.com>



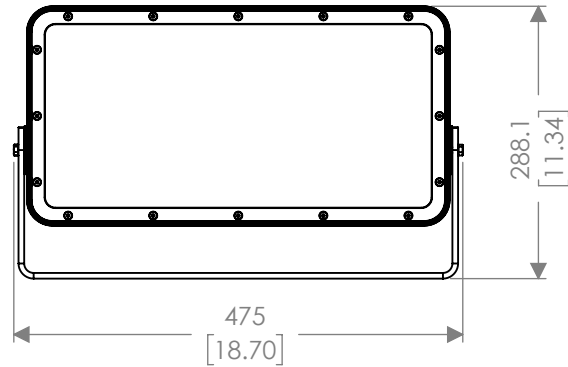
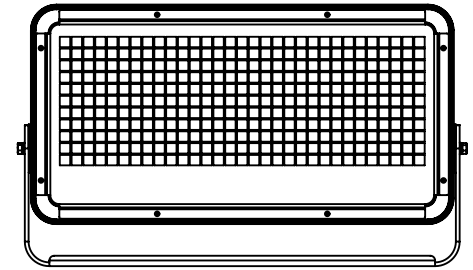
With Visor AL8229



With Snoot AL8230



With wire guard AL8231



With 3G Bracket AL8259

Description : Capital 200

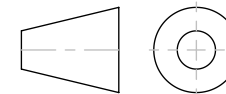
Code : AL5010

Revision : 09

Scale : 1:8

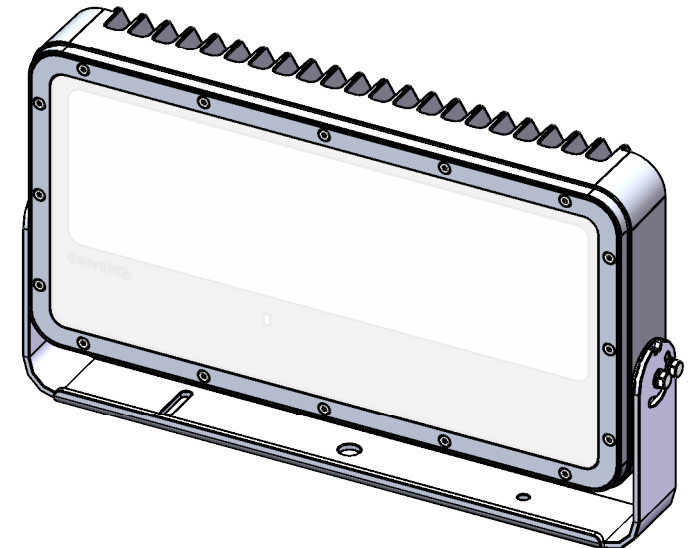
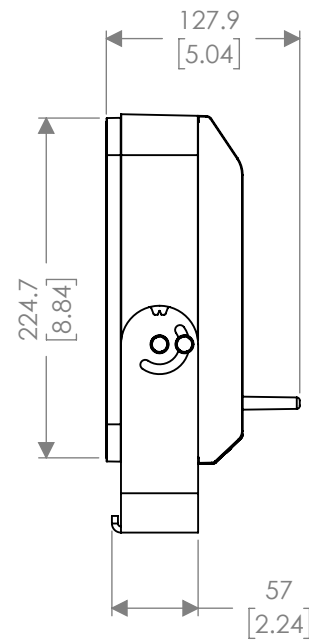
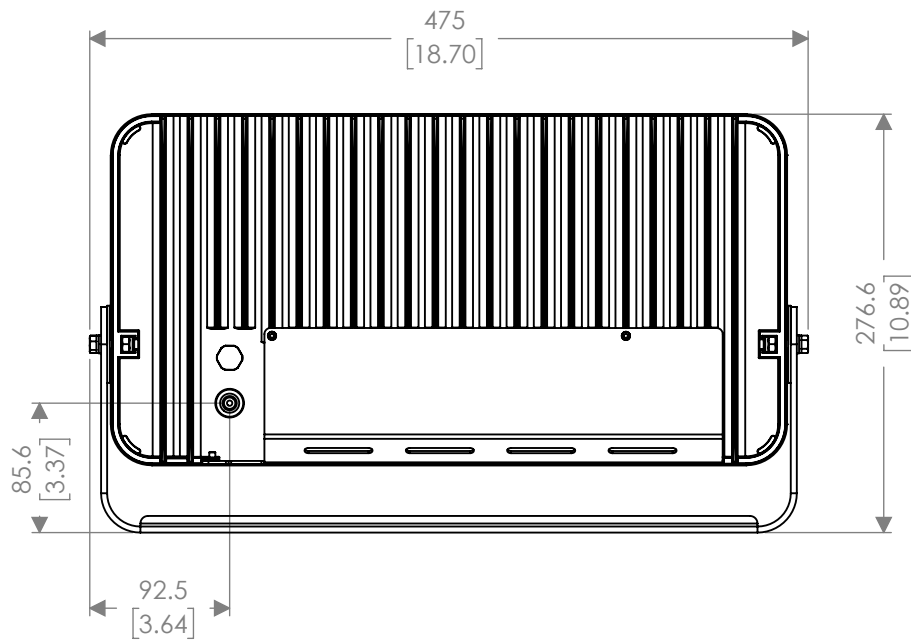
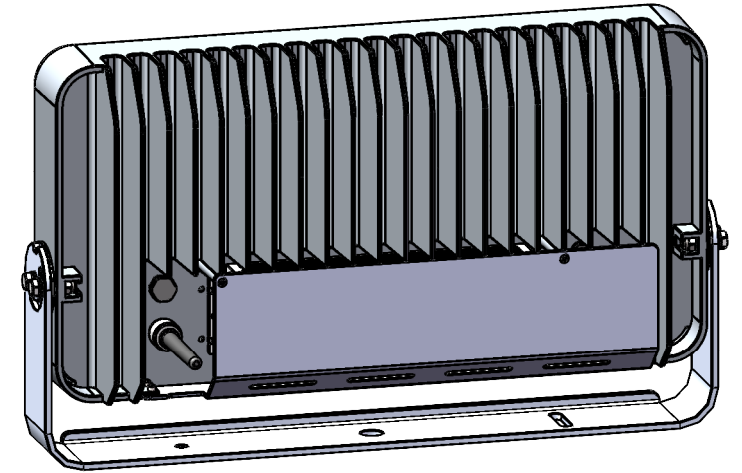
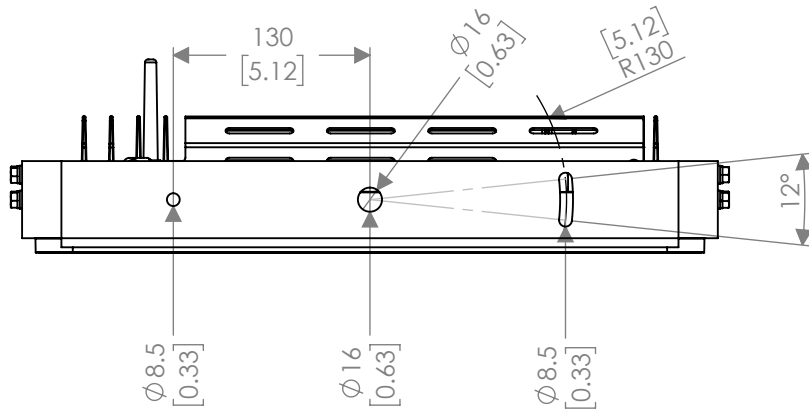
SHEET 2 OF 3

DIMENSIONS ARE IN MILLIMETERS [BRACKETED DIMENSIONS ARE IN INCHES]



GRIVEN 

<http://www.griven.com>



Description : Capital 200 - Wireless DMX Integrated

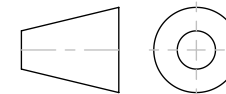
Code : AL5010

Scale : 1:5

SHEET 3 OF 3

Revision : 09

DIMENSIONS ARE IN MILLIMETERS [BRACKETED DIMENSIONS ARE IN INCHES]



GRIVEN 

<http://www.griven.com>